

OM800 (Hall Joystick)

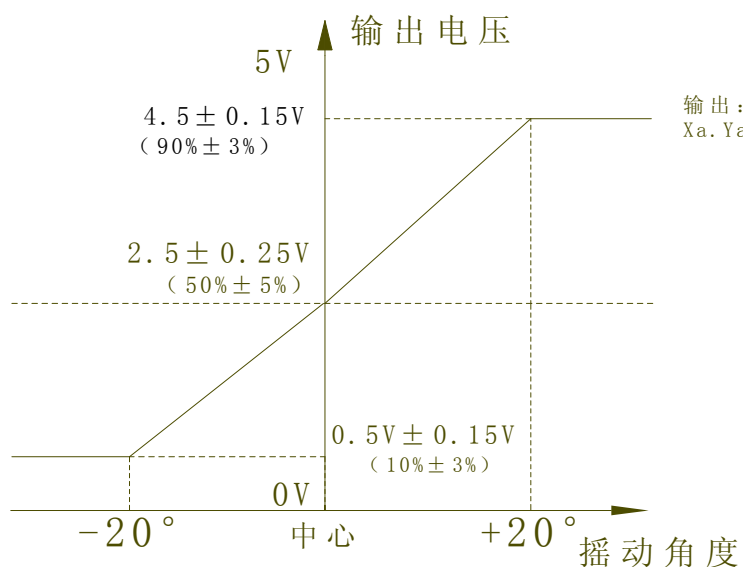
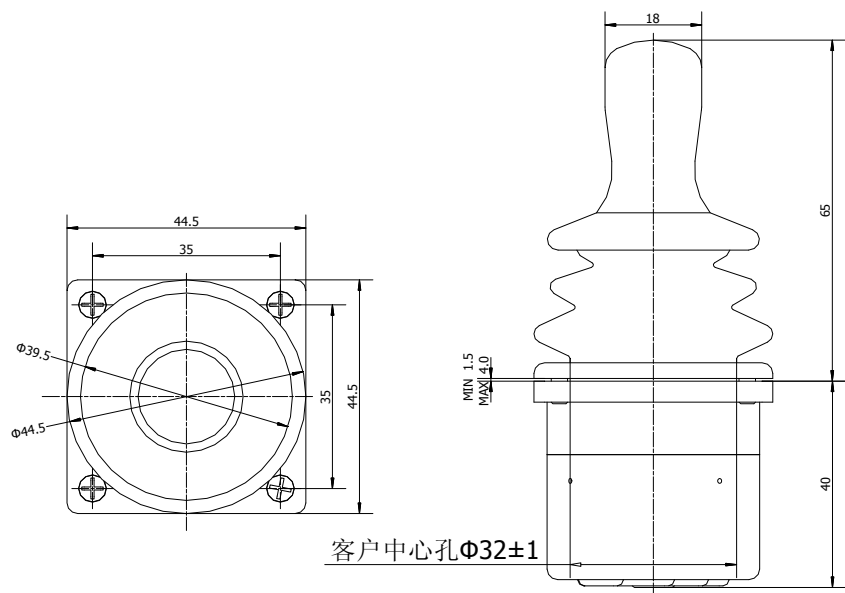


- Used in electric wheelchair, mobile camera, industrial remote control, and various X.Y control platform of human-computer operating system
- The inductive non-contact angle examination, guaranteed that is bigger than 10,000,000 times.
- X.Y axes or cross operation, spring return.
- The single axes or the two axes can be selected.
- The voltage is 0.5V-2.5V-4.5V
- Supplying the RS32, RS485, USB connection output, SPI Connection and 2-wire with 4-20mA current output.

Size drawing

Wire Instruction:

Red: +5V DC
 Black: 0V
 Yellow: X--OUT
 Green: Y--OUT



Electrical

Total current: <10mA
 Linearity tolerance: ± 3%
 Power voltage: DC5.0V±10%
 Resistance: >10KΩ

Mechanical

Swing angle: ±20°
 Life: more than 10, 000, 000times
 Operation strength: 5-N (Max)
 Max strength: 200N
 Weight: 50g

Environment:

Temperature: -20°- +70℃
 Protection rank: IP65